

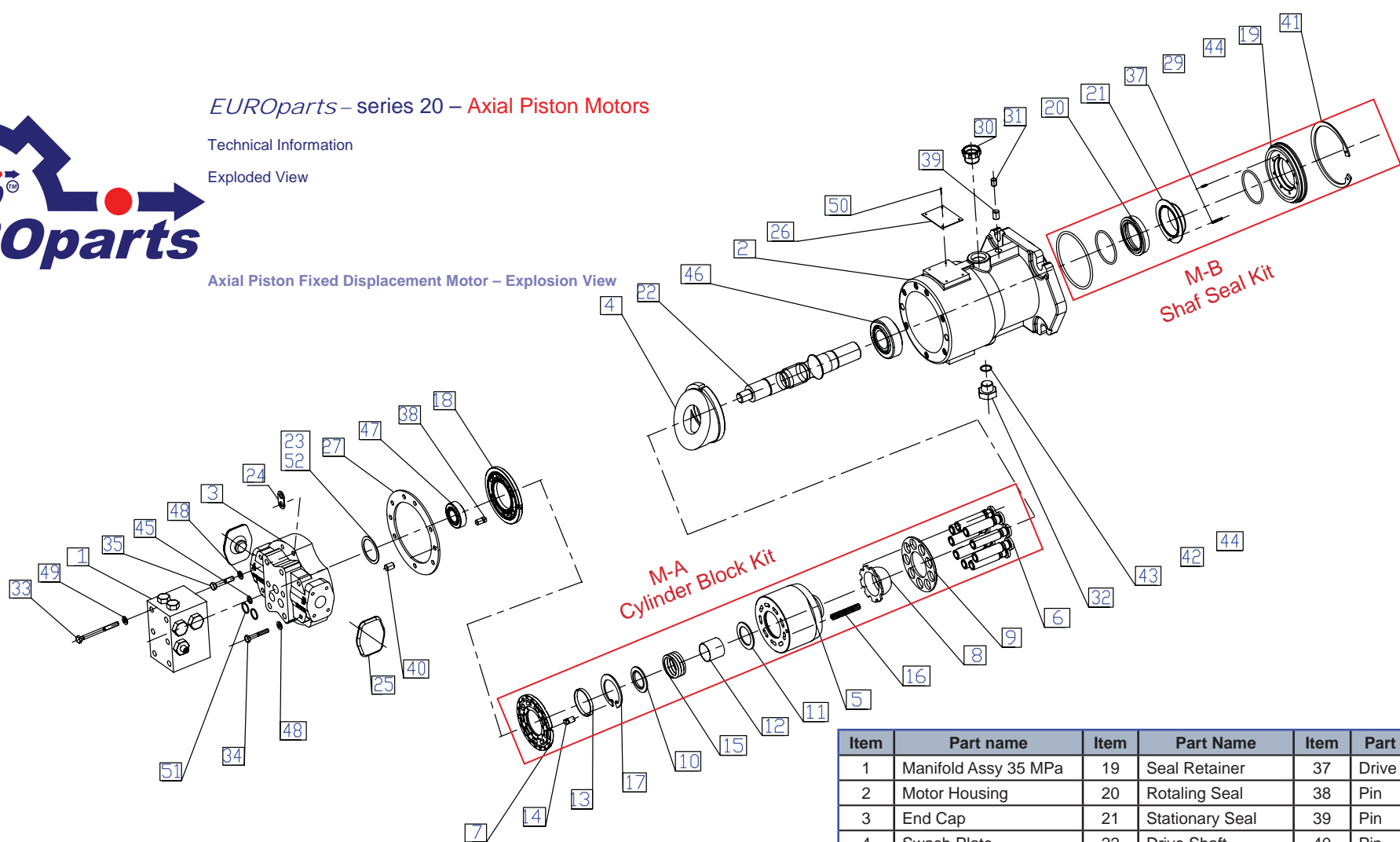


EUROparts – series 20 – Axial Piston Motors

Technical Information

Exploded View

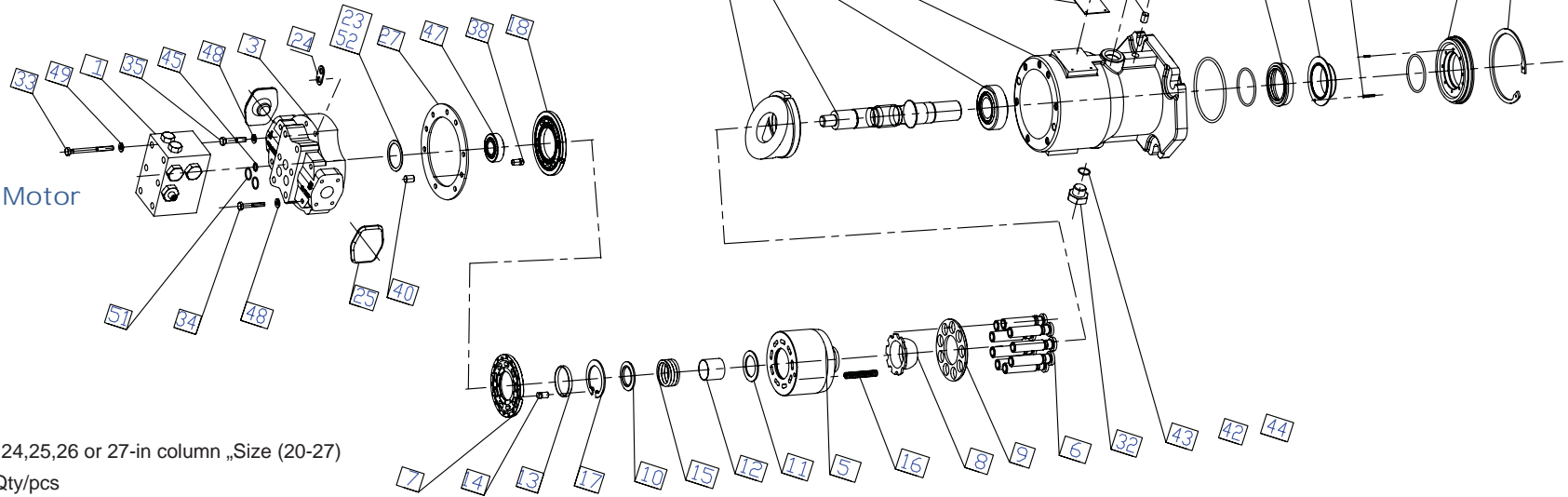
Axial Piston Fixed Displacement Motor – Explosion View



Item	Part name	Item	Part Name	Item	Part NameName
1	Manifold Assy 35 MPa	19	Seal Retainer	37	Drive Screw
2	Motor Housing	20	Rotaling Seal	38	Pin
3	End Cap	21	Stationary Seal	39	Pin
4	Swash Plate	22	Drive Shaft	40	Pin
5	Cylinder Barrel Housing	23	Shim	41	Retaining Ring
6	Piston Assembly	24	Loop	42	O- Ring
7	Bearing Plate	25	Cap	43	O- Ring
8	Retainer Guide	26	Not used	44	O- Ring
9	Slipper Retainer	27	End Cap Gasket	45	O- Ring
10	Spring Retainer	28	Not used	46	Bearing
11	Spring Seat	29	Seal Spring	47	Bearing
12	Spring Guide	30	Plug	48	Washer
13	Bearing Plate Pilot	31	Plug	49	Washer
14	Pin	32	Hex Head Plug	50	Drive Screw
15	Cylinder Barrel Spring	33	Hex Head Screw	51	O- Ring
16	Retainer Spring	34	End Cap Screw	51	Washer
17	Retainer Ring	35	Hex Head Screw	M-A	Cylinder block kit
18	Valve Plate	36	Not used	M-B	Shaft seal kit
				M-C	Set of gaskets



Fixed Displacement Hydraulic Motor  
Spare Parts Order Form



Please fill required size i.e. 20 or 21,22,23,24,25,26 or 27-in column „Size (20-27)  
Please fill required qty-in column „Order/Qty/pcs

Item	Part name	Size (20-27)	Order/Qty pcs	Item	Part Name	Size (20-27)	Order/Qty pcs	Item	Part NameName	Size (20-27)	Order/Qty pcs
1	Manifold Assy 35 MPa			19	Seal Retainer			37	Drive Screw		
2	Motor Housing			20	Rotaling Seal			38	Pin		
3	End Cap			21	Stationary Seal			39	Pin		
4	Swash Plate			22	Drive Shaft			40	Pin		
5	Cylinder Barrel Housing			23	Shim			41	Retaining Ring		
6	Piston Assembly			24	Loop			42	O- Ring		
7	Bearing Plate			25	Cap			43	O- Ring		
8	Retainer Guide			26	Not used			44	O- Ring		
9	Slipper Retainer			27	End Cap Gasket			45	O- Ring		
10	Spring Retainer			28	Not used			46	Bearing		
11	Spring Seat			29	Seal Spring			47	Bearing		
12	Spring Guide			30	Plug			48	Washer		
13	Bearing Plate Pilot			31	Plug			49	Washer		
14	Pin			32	Hex Head Plug			50	Drive Screw		
15	Cylinder Barrel Spring			33	Hex Head Screw			51	O- Ring		
16	Retainer Spring			34	End Cap Screw			51	Washer		
17	Retainer Ring			35	Hex Head Screw			M-A	Cylinder block kit		
18	Valve Plate			36	Not used			M-B	Shaft seal kit		
								*M-C	Set of gaskets		

\*M-C  
Set of Gaskets=All gaskets and  
„o“ Rings in MK Hydraulic Motor