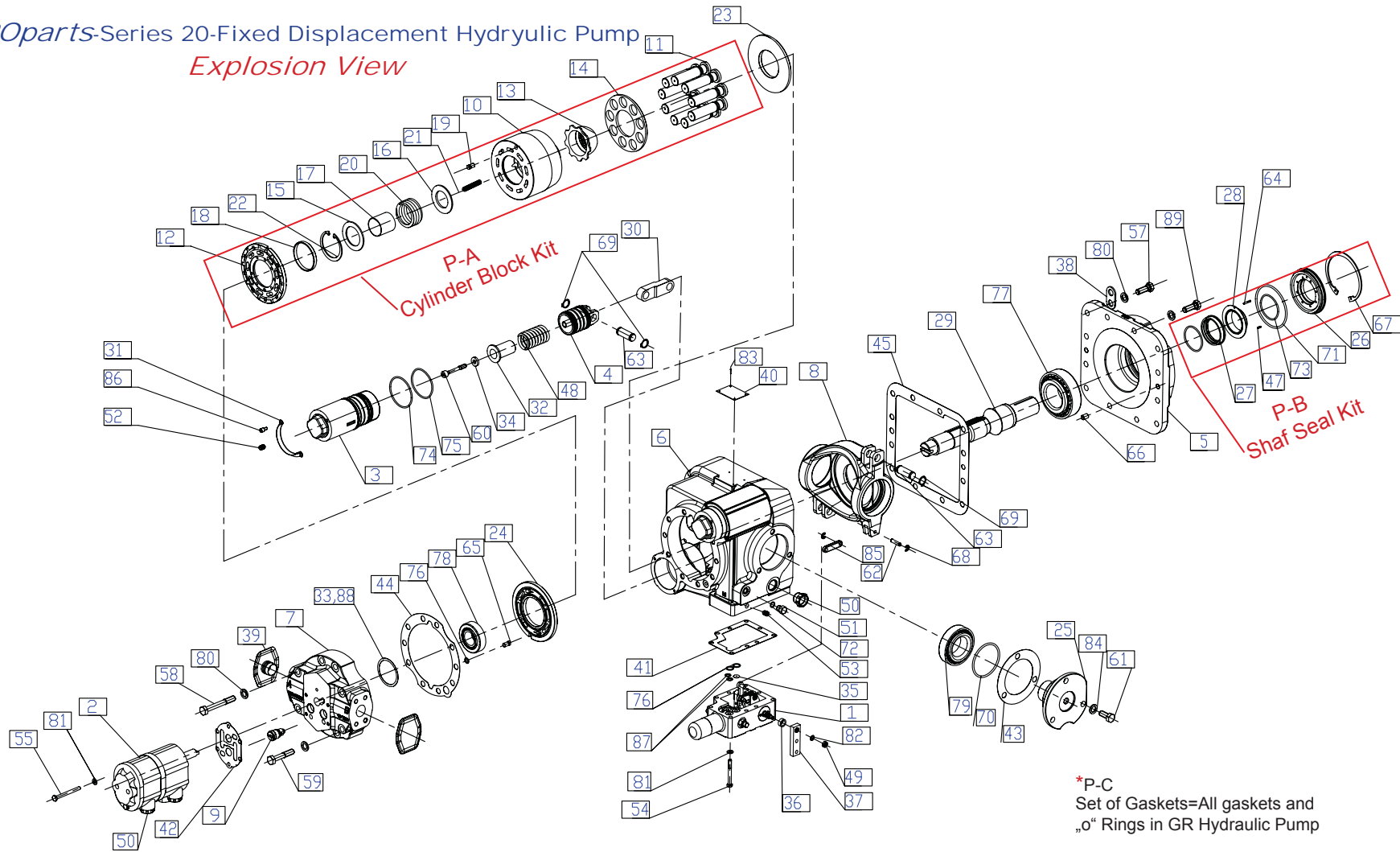


EUROparts-Series 20-Fixed Displacement Hydraulic Pump

Explosion View



Manufactured&Distributed by:
 EUROparts, Ltd.
 Ul. Čsl. Armády 1
 036 01 Martin
 Slovak Republic
 Tel:+421-43-4300 371(373)
 Fax:+421-43-4300 372
 e-Mail: europarts@europarts.sk
<http://www.europarts.sk>



*P-C
 Set of Gaskets=All gaskets and
 „O“ Rings in GR Hydraulic Pump

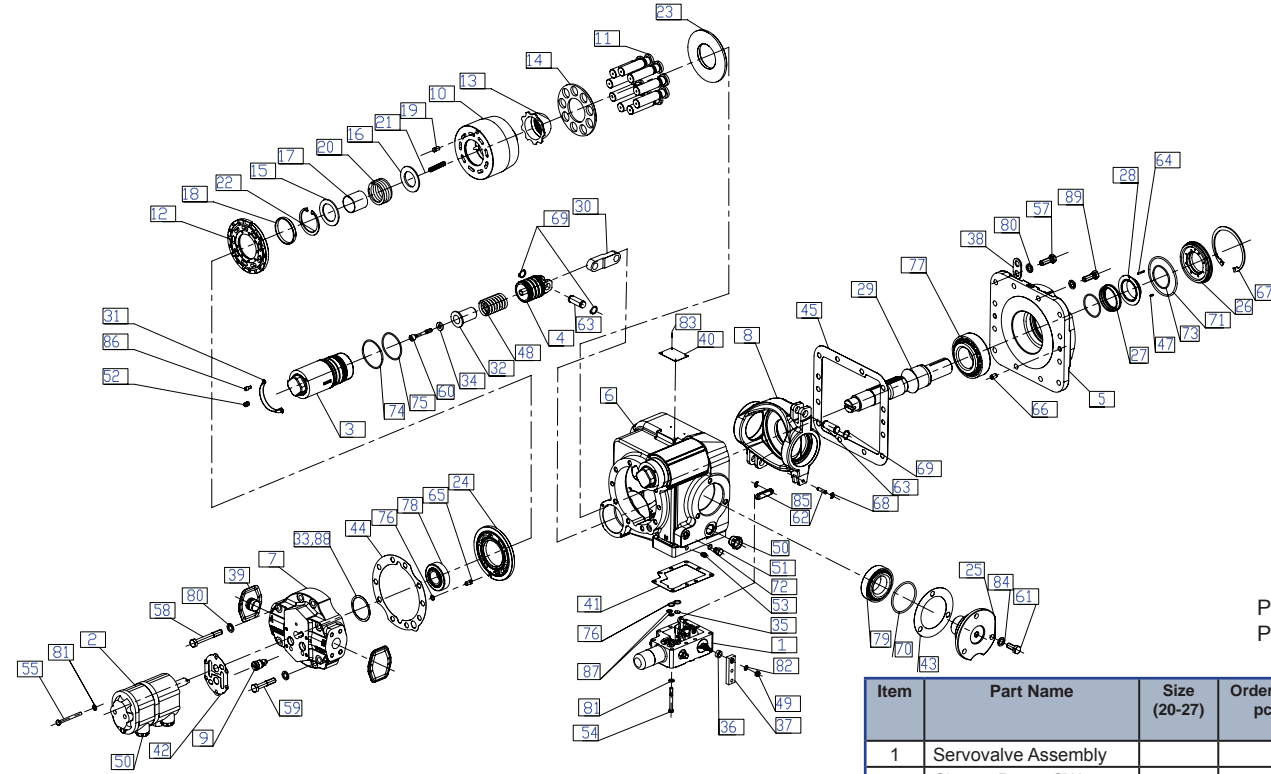
Item	Name	Item	Name
1	Servovalve Assembly	17	Spring Guide
2	Charge Pump CW	18	Bearing Plate Pilot
3	Servo Cylinder	19	Pin
4	Servo Piston	20	Cylinder Barrel Spring
5	Front Cover	21	Retainer Spring
6	Pump Housing	22	Retaining Ring
7	End Cap	23	Thrust Plate
8	Swash Plate	24	Valve Plate CW Valve Plate CCW
9	Check Valve	25	Trunnion
10	Cylinder Barrel Housing	26	Seal Retainer
11	Piston Assembly	27	Rotating Seal
12	Bearing Plate	28	Stationary Seal
13	Retainer Guide	29	Drive Shaft
14	Slipper Retainer	30	Servo Link
15	Spring Retainer	31	Sleeve Retainer
16	Spring Seat	32	Spring Guide

Item	Part Name	Size (20-27)	Order/Qty pcs
33	Shim	51	Plug
34	Washer	52	Expander 05
35	Orifice	53	Expander 09
36	Spacer	54	Hex Head Screw
37	Control Handle	55	Hex Head Screw
38	Loop	56	Not used
39	Cap	57	Hex Head Screw
40	Brand plate	58	End Cap Screw
41	Control Valve Gasket	59	End Cap Screw
42	Charge Pump Gasket	60	Screw
43	Shim Pack	61	Hex Head Screw
44	End Cap Gasket	62	Pin
45	Front Cover Gasket	63	Pin
46	Not used	64	Drive Screw
47	Seal Spring	65	Pin
48	Servo Spring	66	Pin
49	Nut	67	Retaining Ring
50	Plastic Plug	68	Retaining Ring

Item	Part Name	Size (20-27)	Order/Qty pcs
69	Retaining Ring	87	O- Ring
70	O- Ring	88	Not used
71	O- Ring	89	Hex Head Screw
72	O- Ring	P-A	Cylinder block kit
73	O- Ring	P-B	Shaft Seal Kit
74	O- Ring	*P-C	Set of Gaskets*
75	O- Ring		
76	O- Ring		
77	Main shaft bearing		
78	Shaft bearing		
79	Swashplate bearing		
80	Washer		
81	Washer		
82	Washer		
83	Brand Plate Fixing Rivet		
84	Washer		
85	Link Swahsplate		
86	Socket Head Screw		



Variable Displacement Hydraulic Pump
Spare Parts Order Form



Please fill required size i.e. 20 or 21,22,23,24,25,26 or 27-in column „Size (20-27)
Please fill required qty-in column „Order/Qty/pcs

Item	Part Name	Size (20-27)	Order/Qty pcs	Item	Part Name	Size (20-27)	Order/Qty pcs	Item	Name	Size (20-27)	Order/Qty pcs
1	Servo valve Assembly			32	Spring Guide			64	Drive Screw		
2	Charge Pump CW			33	Shim			65	Pin		
3	Servo Cylinder			34	Washer			66	Pin		
4	Servo Piston			35	Orifice			67	Retaining Ring		
5	Front Cover			36	Spacer			68	Retaining Ring		
6	Pump Housing			37	Control Handle			69	Retaining Ring		
7	End Cap			38	Loop			70	O- Ring		
8	Swash Plate			39	Cap			71	O- Ring		
9	Check Valve			40	Brand plate			72	O- Ring		
10	Cylinder Barrel Housing			41	Control Valve Gasket			73	O- Ring		
11	Piston Assembly			42	Charge Pump Gasket			74	O- Ring		
12	Bearing Plate			43	Shim Pack			75	O- Ring		
13	Retainer Guide			44	End Cap Gasket			76	O- Ring		
14	Slipper Retainer			45	Front Cover Gasket			77	Main shaft bearing		
15	Spring Retainer			46	Not used			78	Shaft bearing		
16	Spring Seat			47	Seal Spring			79	Swashplate bearing		
17	Spring Guide			48	Servo Spring			80	Washer		
18	Bearing Plate Pilot			49	Nut			81	Washer		
19	Pin			50	Plastic Plug			82	Washer		
20	Cylinder Barrel Spring			51	Plug			83	Brand Plate Fixing Rivet		
21	Retainer Spring			52	Expander 05			84	Washer		
22	Retaining Ring			53	Expander 09			85	Link Swahsplate		
23	Thrust Plate			54	Hex Head Screw			86	Socket Head Screw		
24	Valve Plate CW			55	Hex Head Screw			87	O- Ring		
	Valve Plate CCW			56	Not used			88	Not used		
25	Trunnion			57	Hex Head Screw			89	Hex Head Screw		
26	Seal Retainer			58	End Cap Screw			P-A	Cylinder block kit		
27	Rotating Seal			59	End Cap Screw			P-B	Shaft Seal Kit		
28	Stationary Seal			60	Screw			*P-C	Set of Gaskets		
29	Drive Shaft			61	Hex Head Screw						
30	Servo Link			62	Pin						